

**Liberty**

# Liberty Metals

Equipment for servers and  
cabling support



# Quality. Value. Delivered.

Durable and reliable data center racks, cable managers, and accessories to mount and manage servers and cabling

- Coated for corrosion resistance
- Wide variety of standard sizes
- Custom orders available

## RELAY RACKS



PART NUMBER	DESCRIPTION
LRR45U2PBK	2-Post Relay Rack, 19", 45U
LRR24U2PBK	2-Post Relay Rack, 19", 24U
LRR2345U2PBK	2-Post Relay Rack, 23", 45U

PART NUMBER	DESCRIPTION
LRR45U4PCNBK	Dual Relay Rack (4-Post), Cage Nut
LRR45U4PSRBK	Dual Relay Rack (4-Post), #12-24



PART NUMBER	DESCRIPTION
LWMRR241918	Fixed Wall Rack, 24"
LWMRR361918	Fixed Wall Rack, 36"
LWMRR481918	Fixed Wall Rack, 48"



PART NUMBER	DESCRIPTION
LRRSWM1924	Swing-Out Wall Rack, 24"
LRRSWM1936	Swing-Out Wall Rack, 36"
LRRSWM1948	Swing-Out Wall Rack, 48"

## CABLE RUNWAY LADDERS



PART NUMBER	DESCRIPTION
LLRHB6	6" Cable Runway Horizontal Bend
LLRHB12	12" Cable Runway Horizontal Bend
LLRHB18	18" Cable Runway Horizontal Bend
LLRHB24	24" Cable Runway Horizontal Bend



PART NUMBER	DESCRIPTION
LLR6-6	Cable Runway 6 Foot, 6"
LLR12-6	Cable Runway 6 Foot, 12"
LLR18-6	Cable Runway 6 Foot, 18"
LLR24-6	Cable Runway 6 Foot, 24"
LLR6-10	Cable Runway 10 Foot, 6"
LLR12-10	Cable Runway 10 Foot, 12"
LLR18-10	Cable Runway 10 Foot, 18"
LLR24-10	Cable Runway 10 Foot, 24"



PART NUMBER	DESCRIPTION
LLRUVB6	Cable Runway Vertical Bend 6"
LLRUVB12	Cable Runway Vertical Bend 12"
LLRUVB18	Cable Runway Vertical Bend 18"
LLRUVB24	Cable Runway Vertical Bend 24"

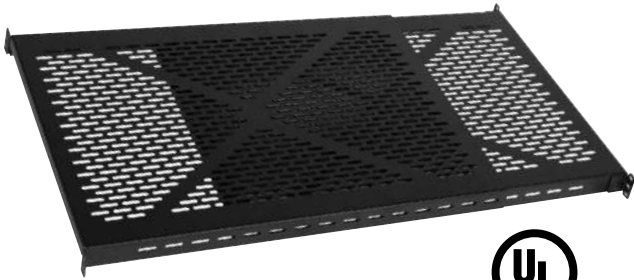
PART NUMBER	DESCRIPTION
LLR12-5KIT1	(1) 12" w x 5' Cable Runway, (1) Rack to Runway Plate, (1) Wall Angle, (2) End Caps
LLR12-5KIT2	(2) 12" w X 5' Cable Runways, (1) Butt Splice Kit

## SHELVES



PART NUMBER	DESCRIPTION
LRRSH1910SS3U	Single-Sided Solid Shelf, 19" Rackable, 10" Deep
LRRSH1915SS3U	Single-Sided Solid Shelf, 19" Rackable, 15" Deep
LRRSH2310SS3U	Single-Sided Solid Shelf, 23" Rackable, 10" Deep
LRRSH2315SS3U	Single-Sided Solid Shelf, 23" Rackable, 15" Deep

PART NUMBER	DESCRIPTION
LRRSH1915SSP3U	Single-Sided Vented Shelf, 19" Rackable, 15" Deep
LRRSH1910SSP3U	Single-Sided Vented Shelf, 19" HPO, 10" Deep
LRRSH2310SSP3U	Single-Sided Vented Shelf, 23" HPO, 10" Deep
LRRSH2315SSP3U	Single-Sided Vented Shelf, 23" HPO, 15" Deep



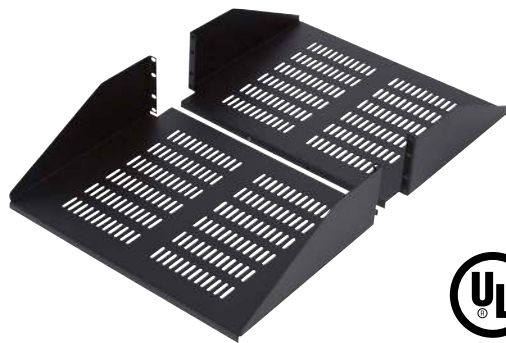
PART NUMBER	DESCRIPTION
LRRSH191626ADJ	Telescoping Adjustable Shelf 19", 16"-26"
LRRSH192744ADJ	Telescoping Adjustable Shelf 19", 27"-44"



PART NUMBER	DESCRIPTION
LRRSH1920DS4U	Double-Sided Solid Shelf, 19" Rackable, 20"
LRRSH1930DS4U	Double-Sided Solid Shelf, 19" Rackable, 30"
LRRSH2320DS4U	Double-Sided Solid Shelf, 23" Rackable, 20"
LRRSH2330DS4U	Double-Sided Solid Shelf, 23" Rackable, 30"



PART NUMBER	DESCRIPTION
LRRSH1919CM2U	19" Centermount Shelf



PART NUMBER	DESCRIPTION
LRRSH1920DP4U	Double-Sided Vented Shelf, 19" HPO, 20" Deep
LRRSH1930DP4U	Double-Sided Vented Shelf, 19" HPO, 30" Deep

## CABLE MANAGERS



PART NUMBER	DESCRIPTION
LVMMS8404	Dual Side Finger Cable Manager, 4"
LVMMS8406	Dual Side Finger Cable Manager, 6"
LVMMS8408	Dual Side Finger Cable Manager, 8"
LVMMS8410	Dual Side Finger Cable Manager, 10"
LVMMS8404G	Dual Side Finger Cable Manager, 4", With Gates In Rear
LVMMS8406G	Dual Side Finger Cable Manager, 6", With Gates In Rear
LVMMS8408G	Dual Side Finger Cable Manager, 8", With Gates In Rear
LVMMS8410G	Dual Side Finger Cable Manager, 10", With Gates In Rear



PART NUMBER	DESCRIPTION
LVMMS8404	Vertical Cable Manager 45J Rackable, 4"
LVMMS8406	Vertical Cable Manager 45U Rackable, 6"
LVMMS8408	Vertical Cable Manager 45J Rackable, 8"
LVMMS8410	Vertical Cable Manager 45J Rackable, 10"
LVMMS8404G	Finger Cable Manager, 4", With Gates In Rear
LVMMS8406G	Finger Cable Manager, 6", With Gates In Rear
LVMMS8408G	Finger Cable Manager, 8", With Gates In Rear
LVMMS8410G	Finger Cable Manager, 10", With Gates In Rear



PART NUMBER	DESCRIPTION
LHCMDRING1U	Horizontal Cable Manager 19" Rackable, 1RU
LHCMDRING2U	Horizontal Cable Manager 19" Rackable, 2RU
LHCMCDRING1U	Horizontal Cable Manager, 19" Rackable, 1RU, With Cover
LHCMCDRING2U	Horizontal Cable Manager, 19" Rackable, 2RU, With Cover
LHCMFDRING1U	19" Horizontal Cable Manager, 1U, Plastic Fingers, With Cover
LHCMFDRING2U	19" Horizontal Cable Manager, 2U, Plastic Fingers, With Cover

## ACCESSORIES



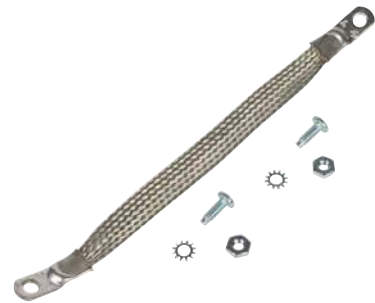
PART NUMBER	DESCRIPTION
LLR6TK	Ladder Termination Kit, 6"
LLR12TK	Ladder Termination Kit, 12"
LLR18TK	Ladder Termination Kit, 18"
LLR24TK	Ladder Termination Kit, 24"



PART NUMBER	DESCRIPTION
LLRTBKT	T-Junction Bracket Kit



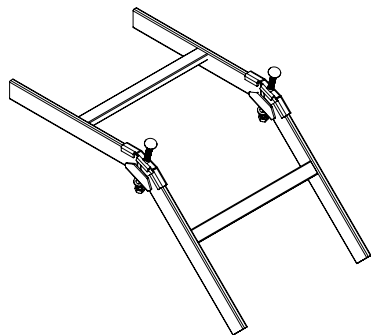
PART NUMBER	DESCRIPTION
LLRJBLT	J Bolt Kit (5/16")



PART NUMBER	DESCRIPTION
LLRGSTRAP	Grounding Strap with Hardware



PART NUMBER	DESCRIPTION
LLRVWBK	Vertical Wall Bracket Kit



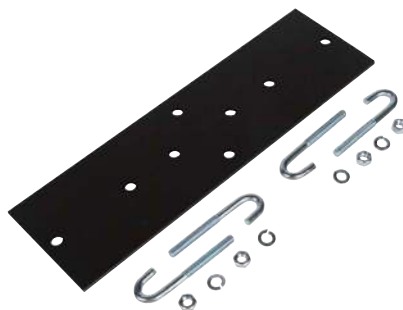
PART NUMBER	DESCRIPTION
LLRBSKANG	Butt Splice Kit - 45 Degree Fixed



PART NUMBER	DESCRIPTION
LLRWASK12	Triangle Wall Support, 12"
LLRWASK18	Triangle Wall Support, 18"
LLRWASK24	Triangle Wall Support, 24"



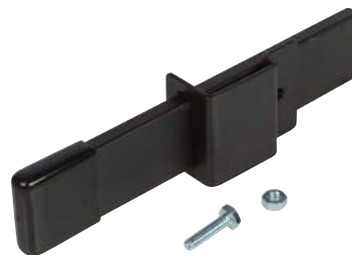
PART NUMBER	DESCRIPTION
LLRLBT	L Bracket - Cable Runway



PART NUMBER	DESCRIPTION
LLRRRTP12	Rack To Runway Plate, 12"
LLRRRTP18	Rack To Runway Plate, 18"

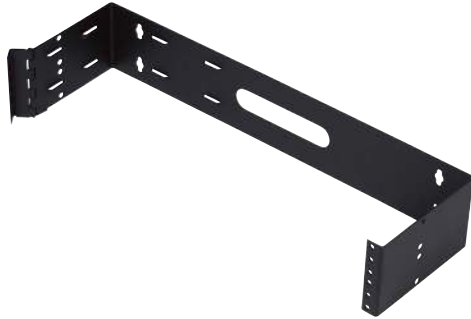


PART NUMBER	DESCRIPTION
LLRBSKADJT	Butt Splice Kit - Swivel/Adjustable

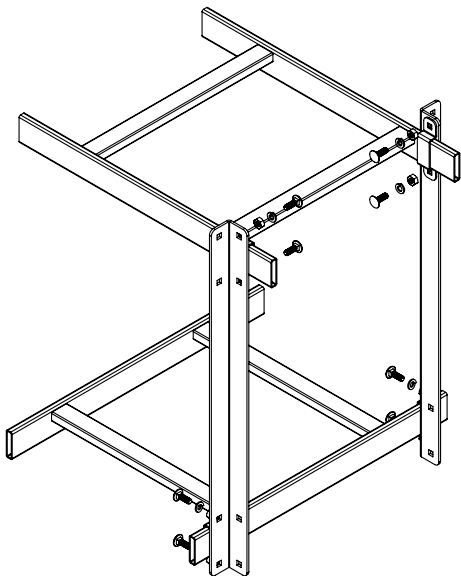


PART NUMBER	DESCRIPTION
LLR6RPK	6" Retaining Post Kit
LLR8RPK	8" Retaining Post Kit





PART NUMBER	DESCRIPTION
LHWB1U6BK	Hinged Wallmount Bracket 19" Rackable, 1RU
LHWB2U6BK	Hinged Wallmount Bracket 19" Rackable, 2RU
LHWB3U6BK	Hinged Wallmount Bracket 19" Rackable, 3RU
LHWB4U6BK	Hinged Wallmount Bracket 19" Rackable, 4RU
LHWB6U6BK	Hinged Wallmount Bracket 19" Rackable, 6RU



PART NUMBER	DESCRIPTION
LLRSSK	Cable Runway Standoff Support Kit



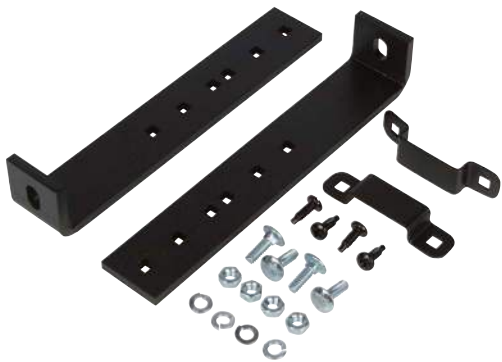
PART NUMBER	DESCRIPTION
LLRCMK	Ceiling Mount Kit 5/8"



PART NUMBER	DESCRIPTION
LLREC	Ladder Rack End Cap



PART NUMBER	DESCRIPTION
LLRVWBK	Vertical Wall Bracket Kit



PART NUMBER	DESCRIPTION
LLRSEK4/6	Stand-Off Elevation Kit 4"-6"



PART NUMBER	DESCRIPTION
LLRCRDC12	Cable Radius Drop, 12"
LLRCRDC18	Cable Radius Drop, 18"
LLRCRDC24	Cable Radius Drop, 24"



PART NUMBER	DESCRIPTION
LLR2RSSB	Slotted Runway Support Bracket



PART NUMBER	DESCRIPTION
LLRBSK	Butt Splice Kit - Straight (Pair)



PART NUMBER	DESCRIPTION
LLRWAB6	Wall Angle Support Bracket, 6"
LLRWAB12	Wall Angle Support Bracket, 12"
LLRWAB18	Wall Angle Support Bracket, 18"
LLRWAB24	Wall Angle Support Bracket, 24"



PART NUMBER	DESCRIPTION
LVPM1902	Vertical Panel Mount, 2RU
LVPM1903	Vertical Panel Mount, 3RU
LVPM1904	Vertical Panel Mount, 4RU



### BLANKING PANELS

PART NUMBER	DESCRIPTION
LRRBLANK1U	Blank Filler Plate 19" Rackable, 1RU
LRRBLANK2U	Blank Filler Plate 19" Rackable, 2RU
LRRBLANK3U	Blank Filler Plate 19" Rackable, 3RU
LRRBLANK4U	Blank Filler Plate 19" Rackable, 4RU



PART NUMBER	DESCRIPTION
LLRFMBKT	Floor Mount Bracket



### FASTENERS

PART NUMBER	DESCRIPTION
LWDWCN1224	Relay Rack Hardware, 12-24 Cage Nuts, 50 Pack
LHD1032SBK	Relay Rack Hardware, 10-32 Screws, 50 Pack
LHD1224SBK	Relay Rack Hardware, 12-24 Screws, 50 Pack
LHDWCL-1032	Relay Rack Hardware, 10-32 Cage Nuts, 50 Pack

**Liberty**

[LibertyOnline.com](http://LibertyOnline.com)